

SINGER

132K5

Form K4139
(Sup. K3512)
Jan., 1931

PRINTED IN GREAT BRITAIN

Half Size

3

PLATE 1600

LIST OF PARTS

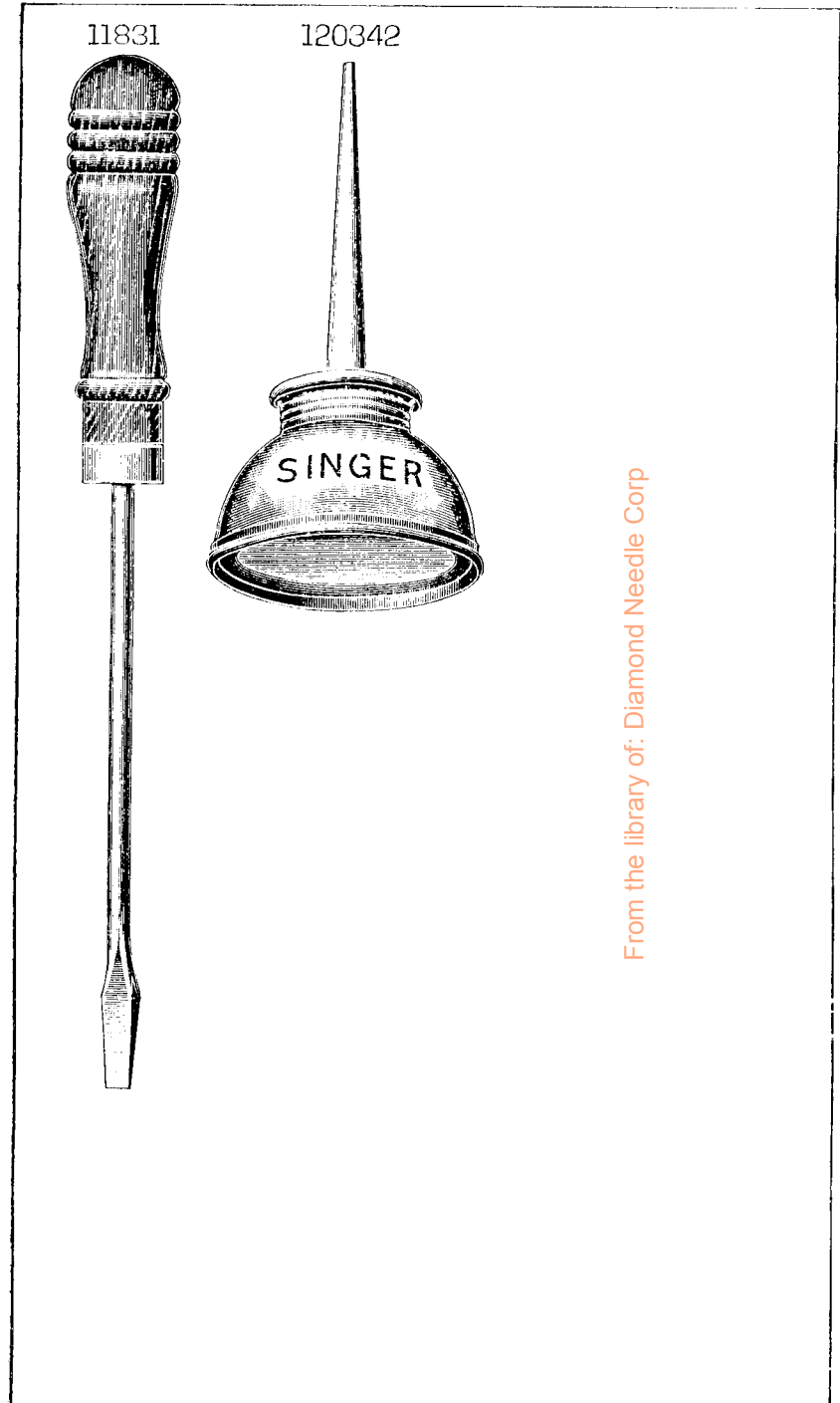
for

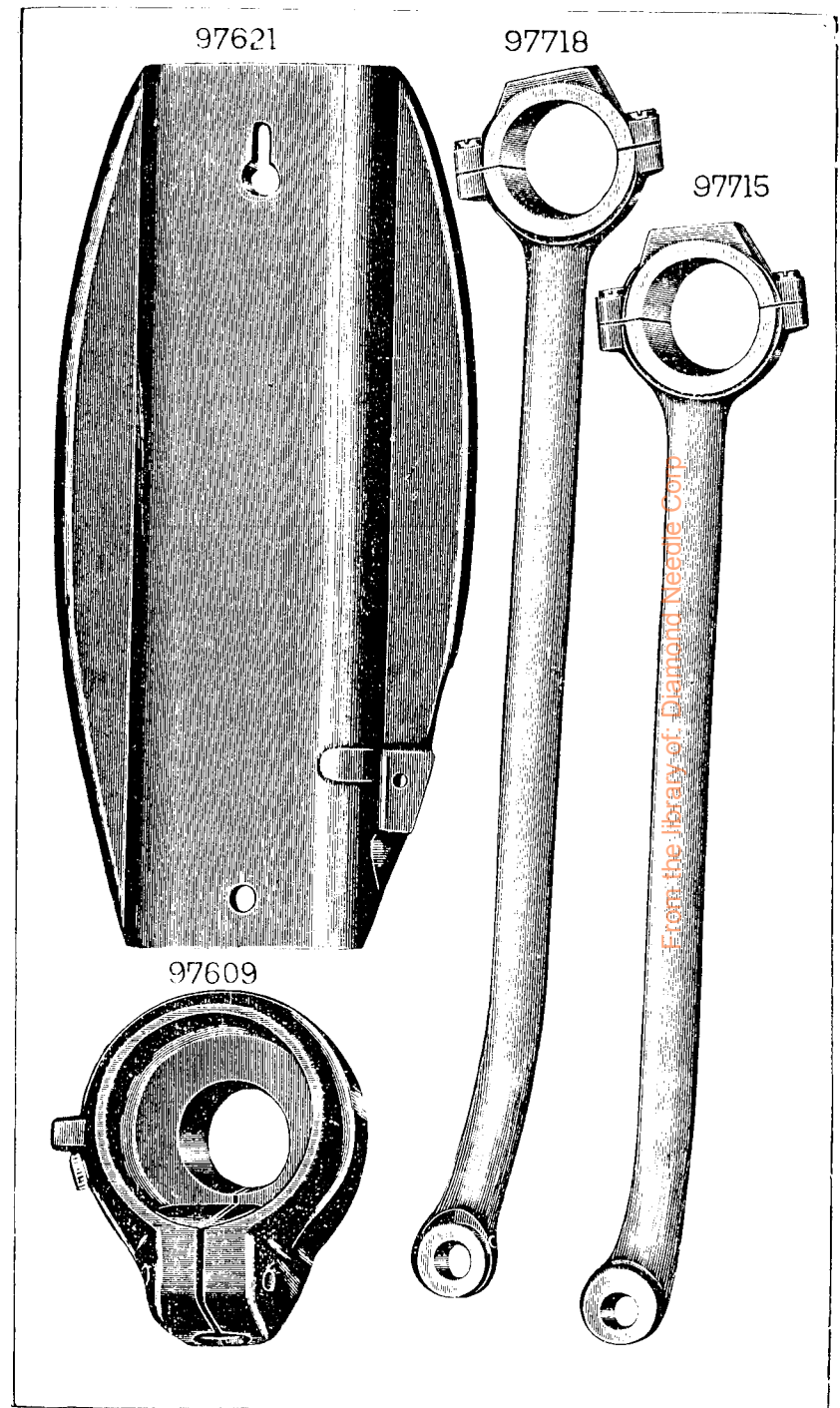
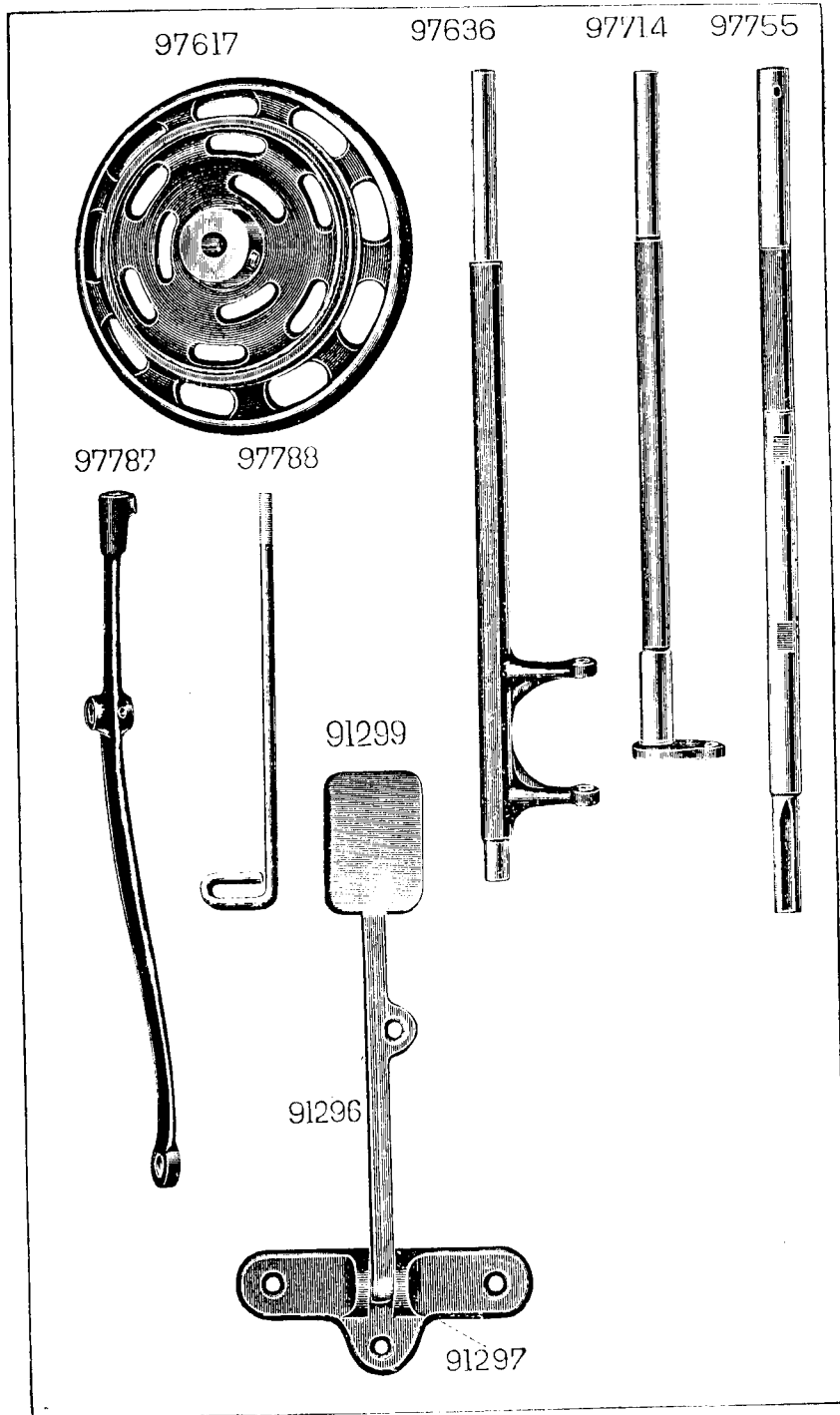
No. 132K5 MACHINE

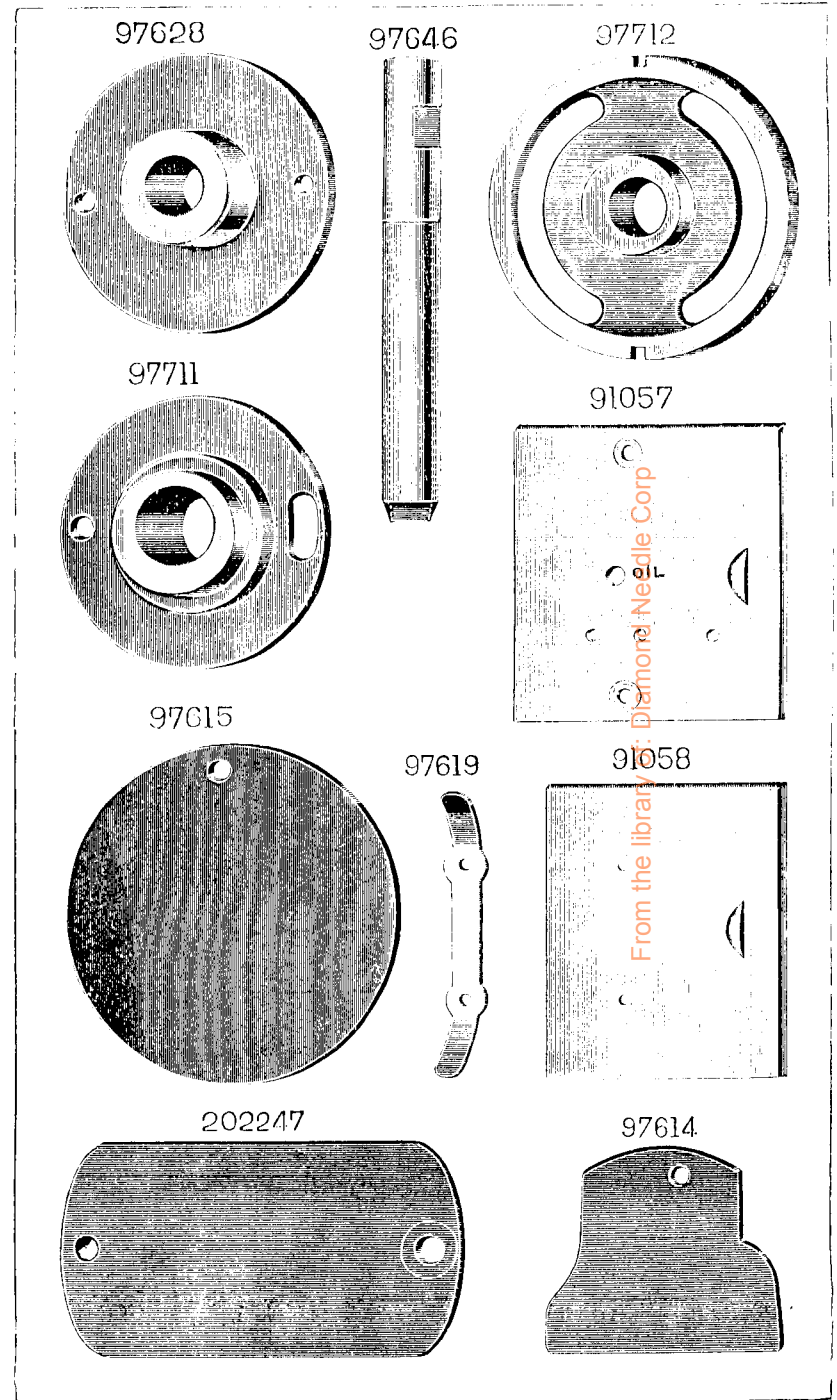
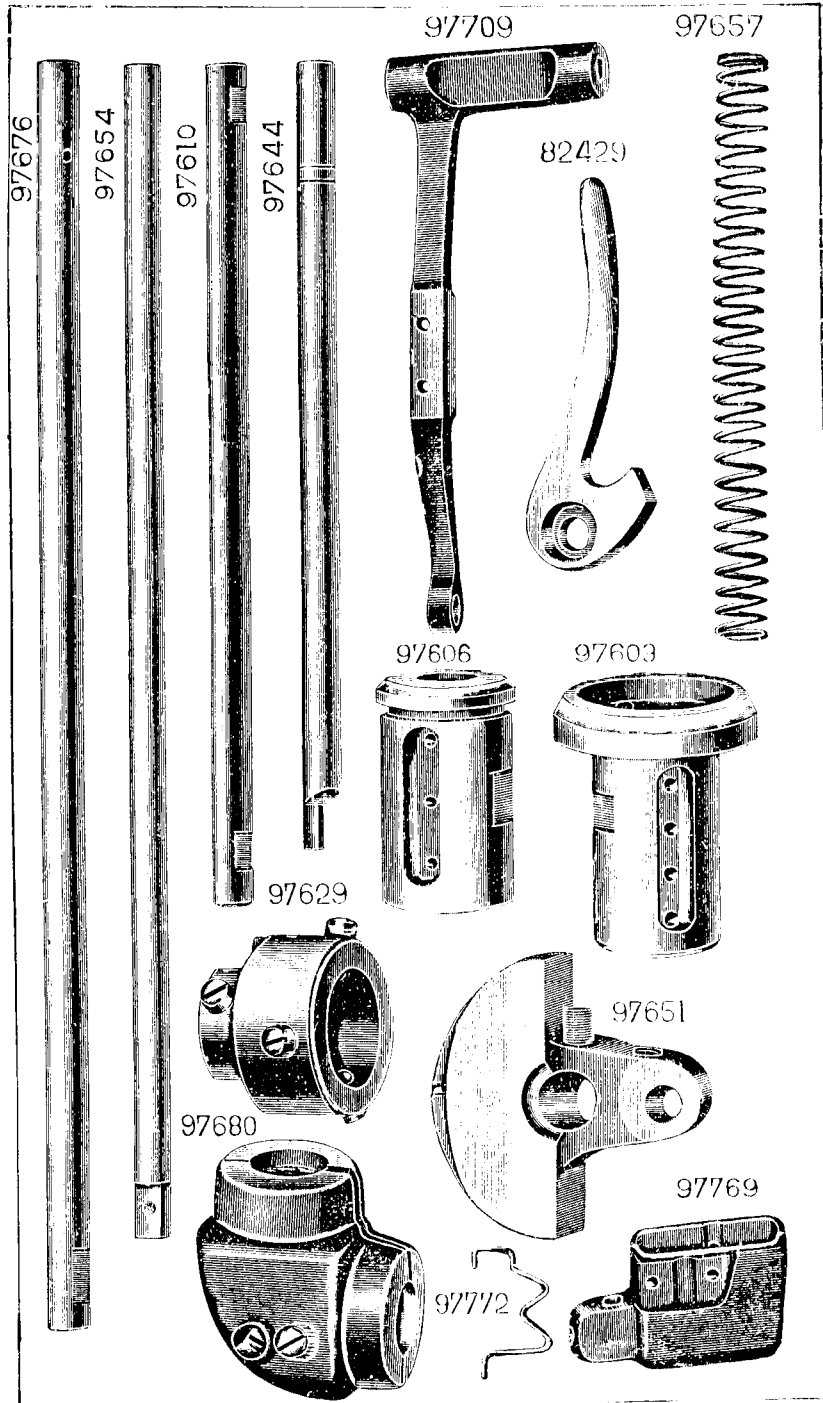


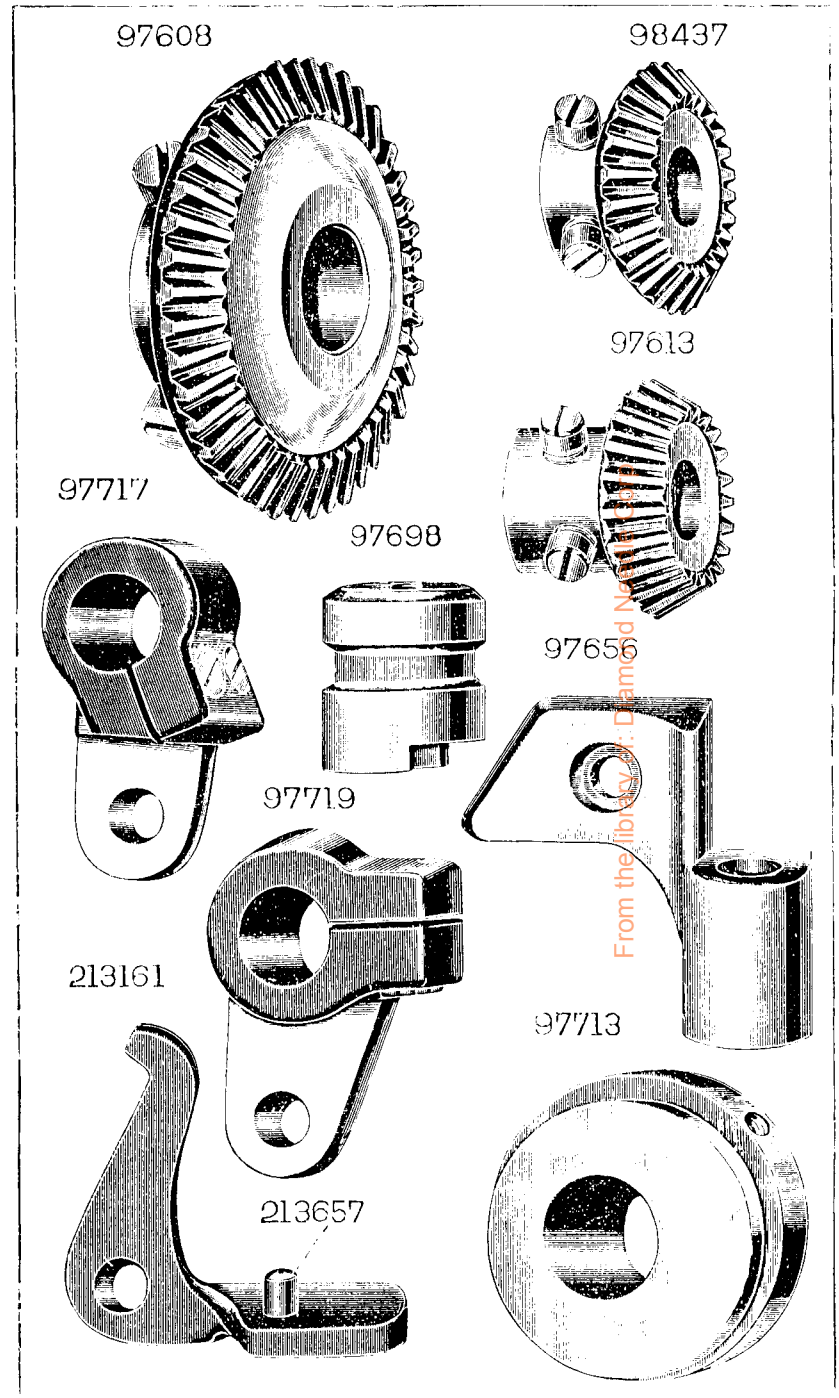
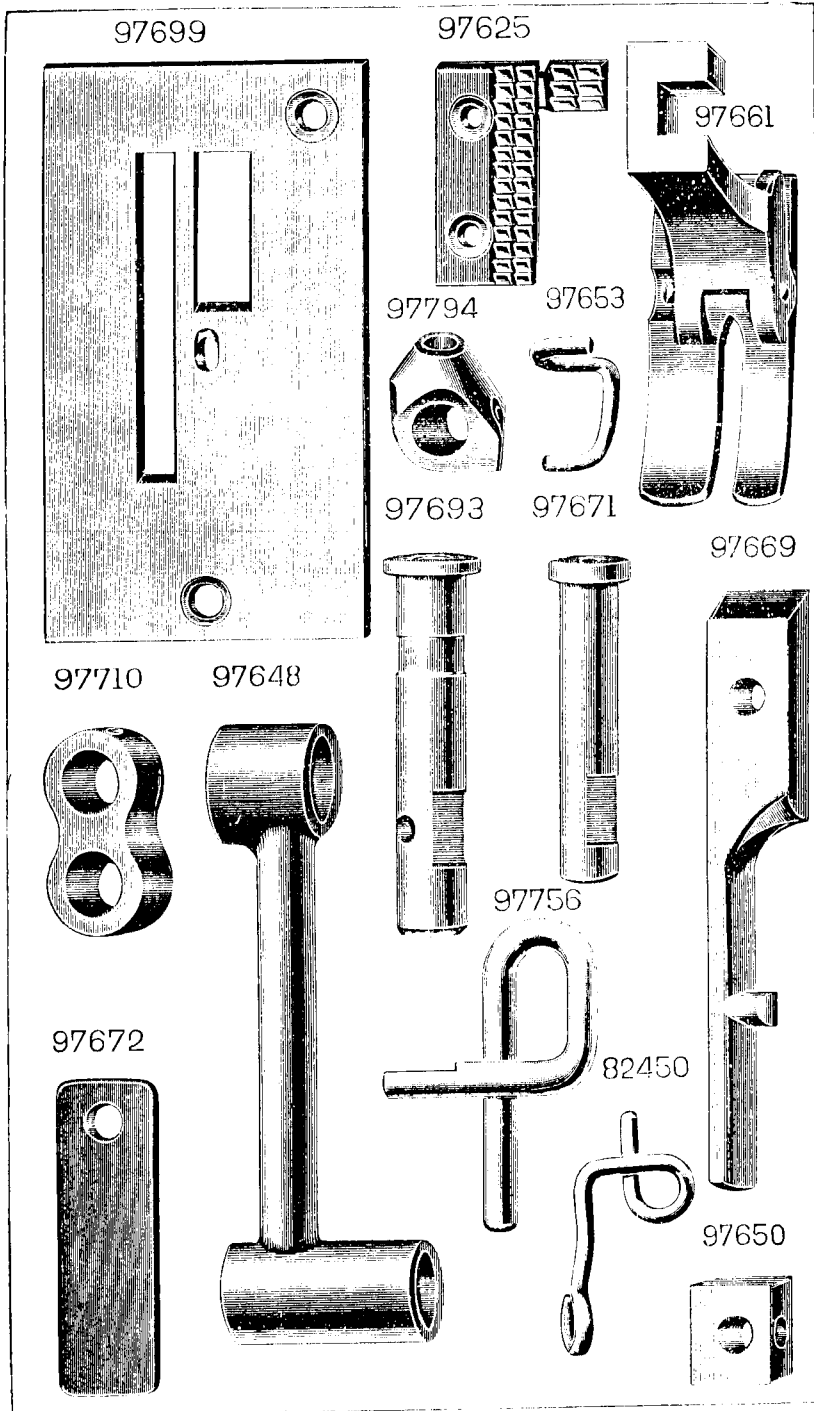
THE SINGER MANUFACTURING COMPANY

ALL RIGHTS RESERVED

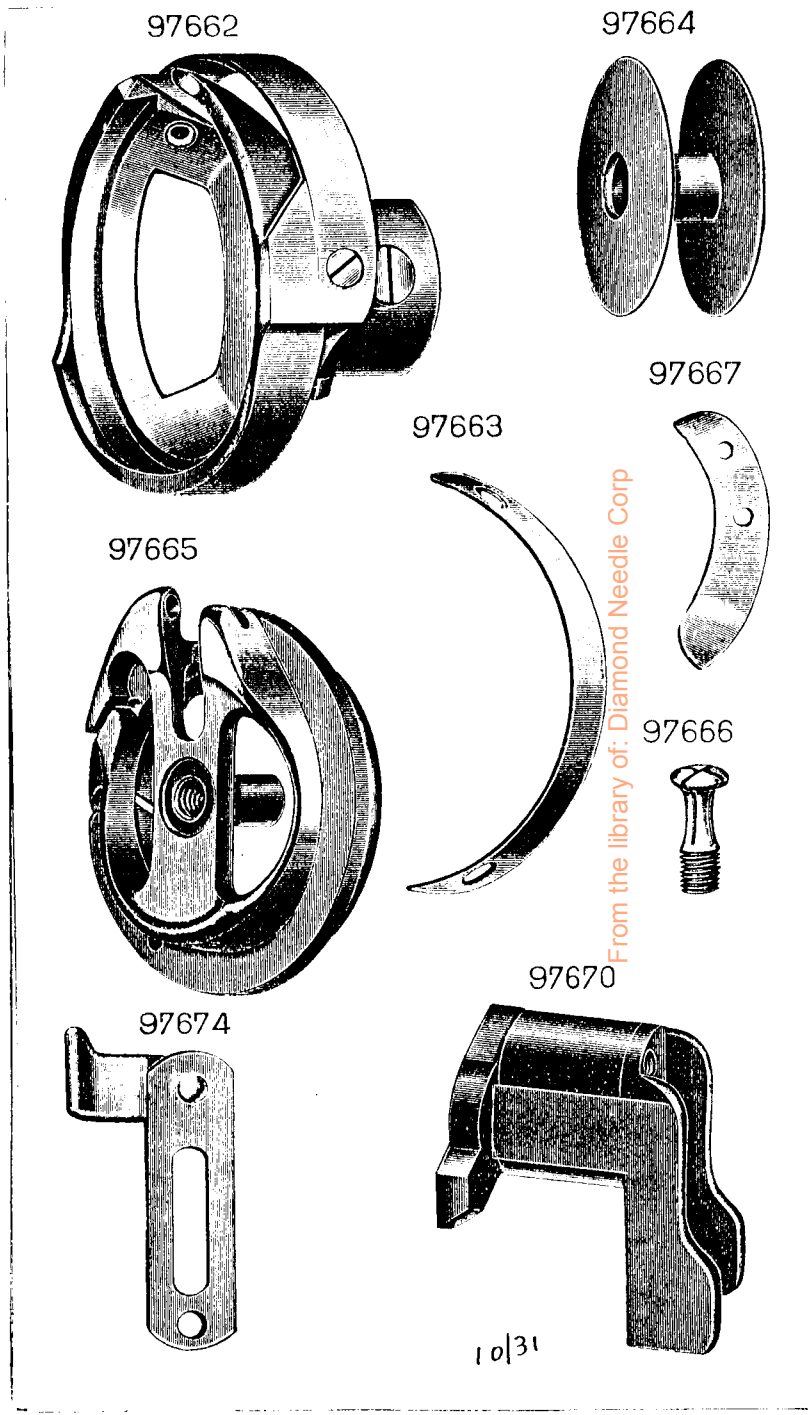
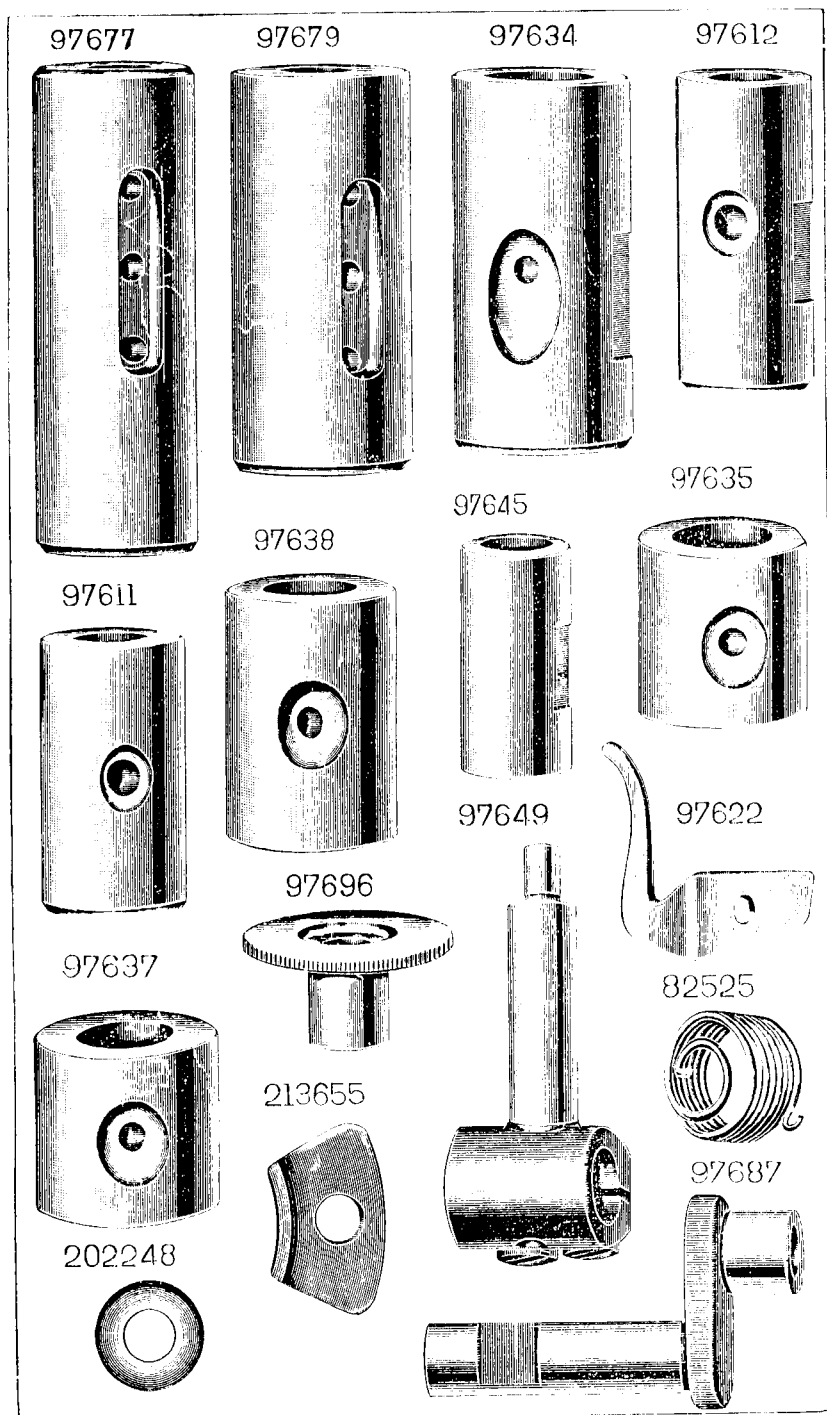


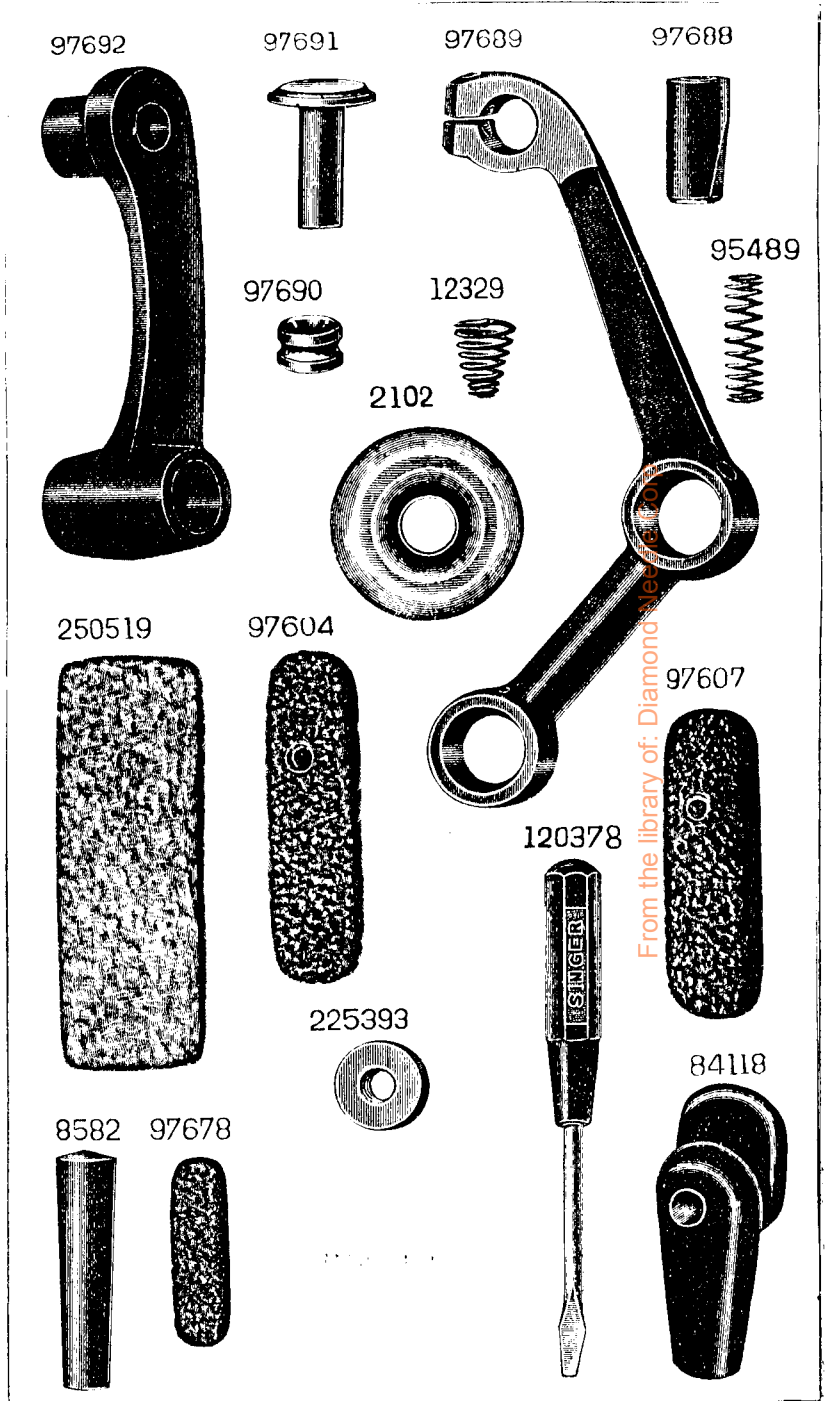
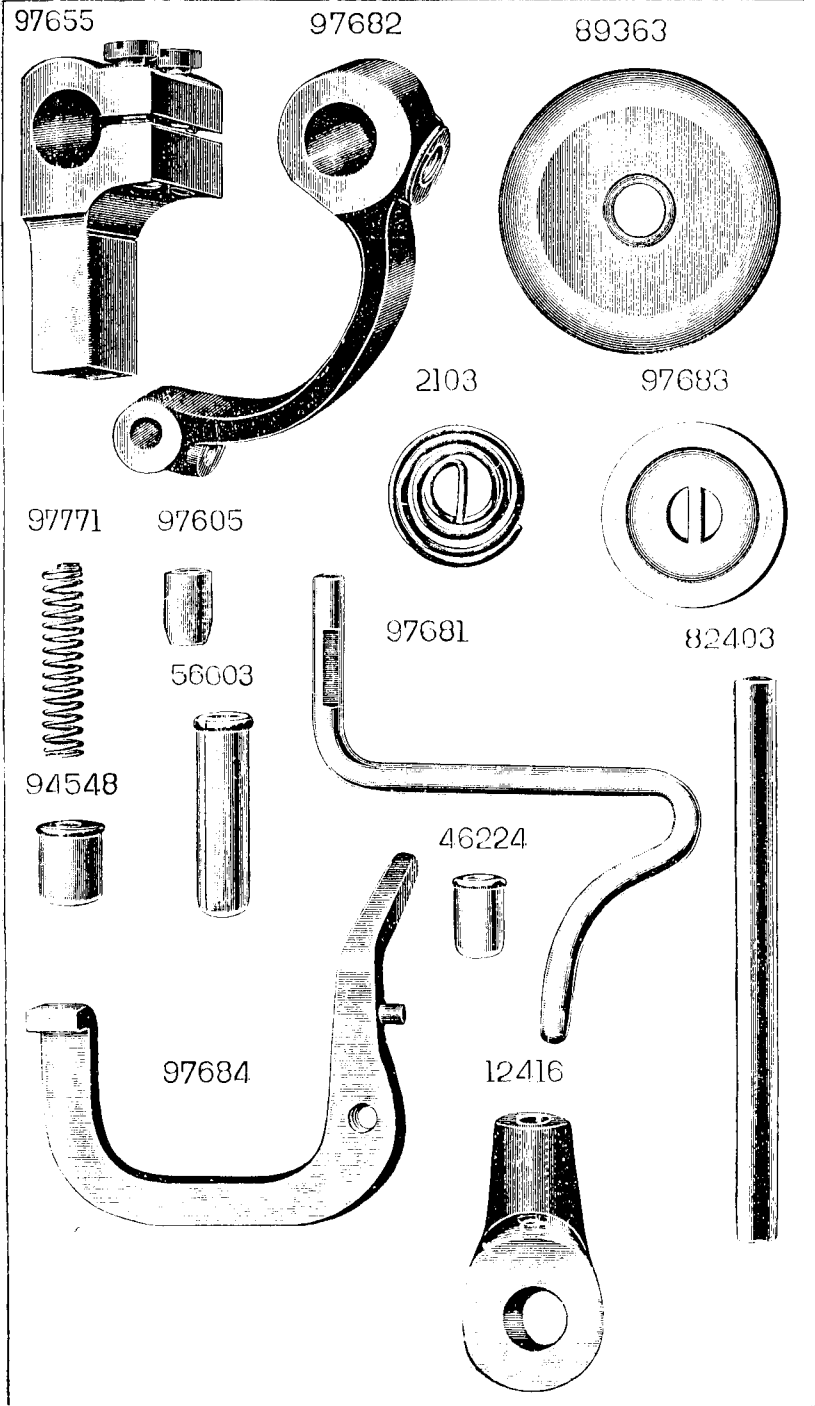




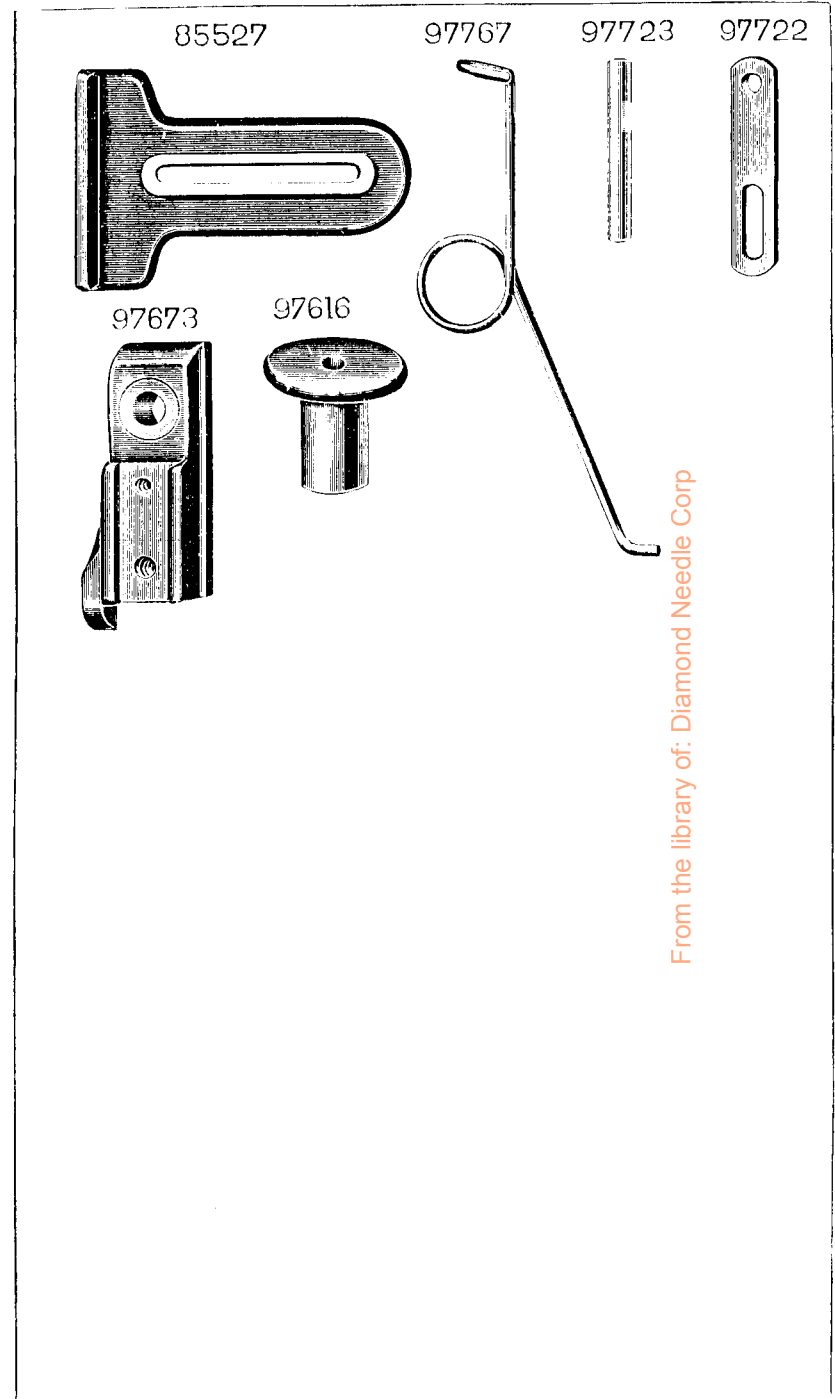
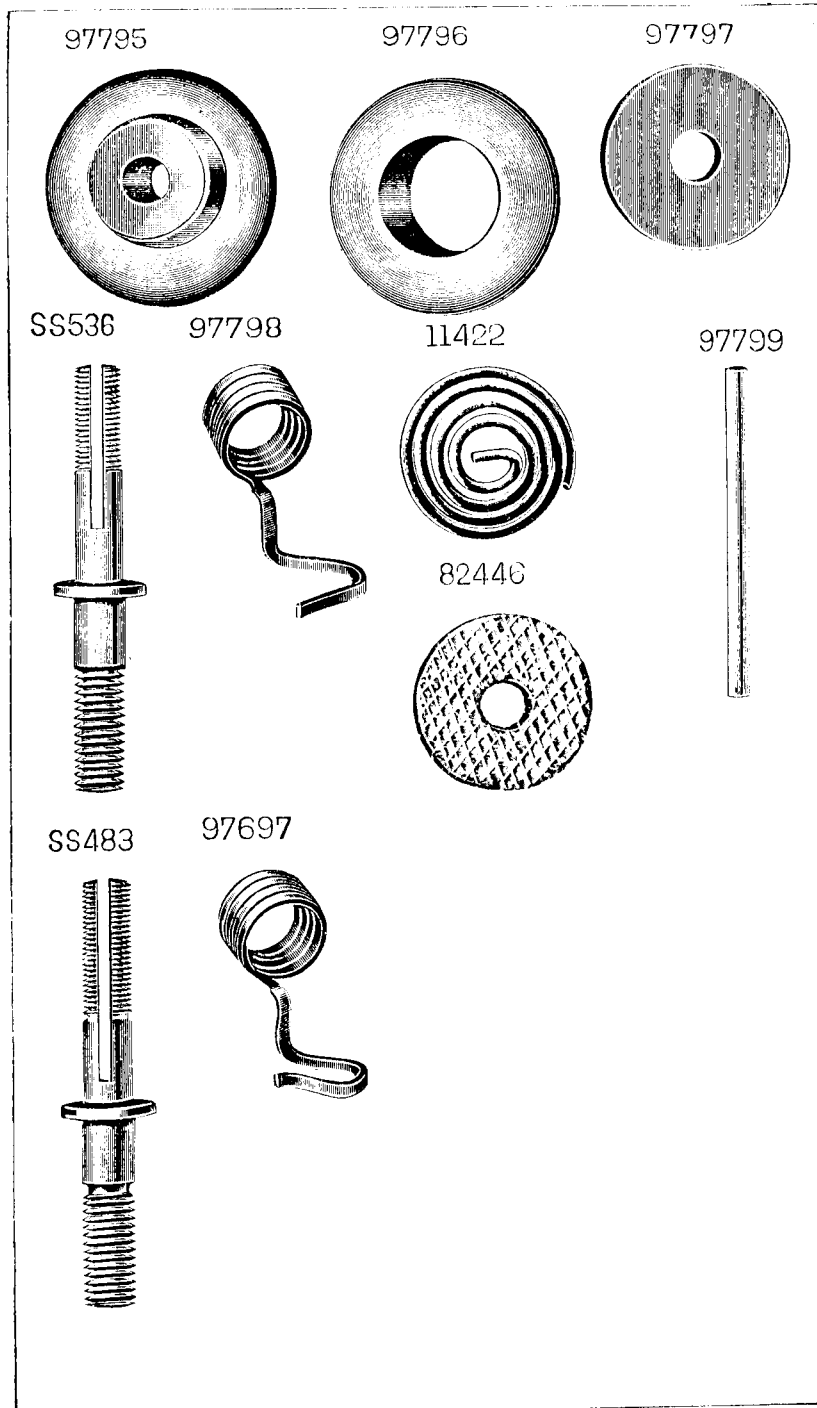


From the library of: Darryl N...



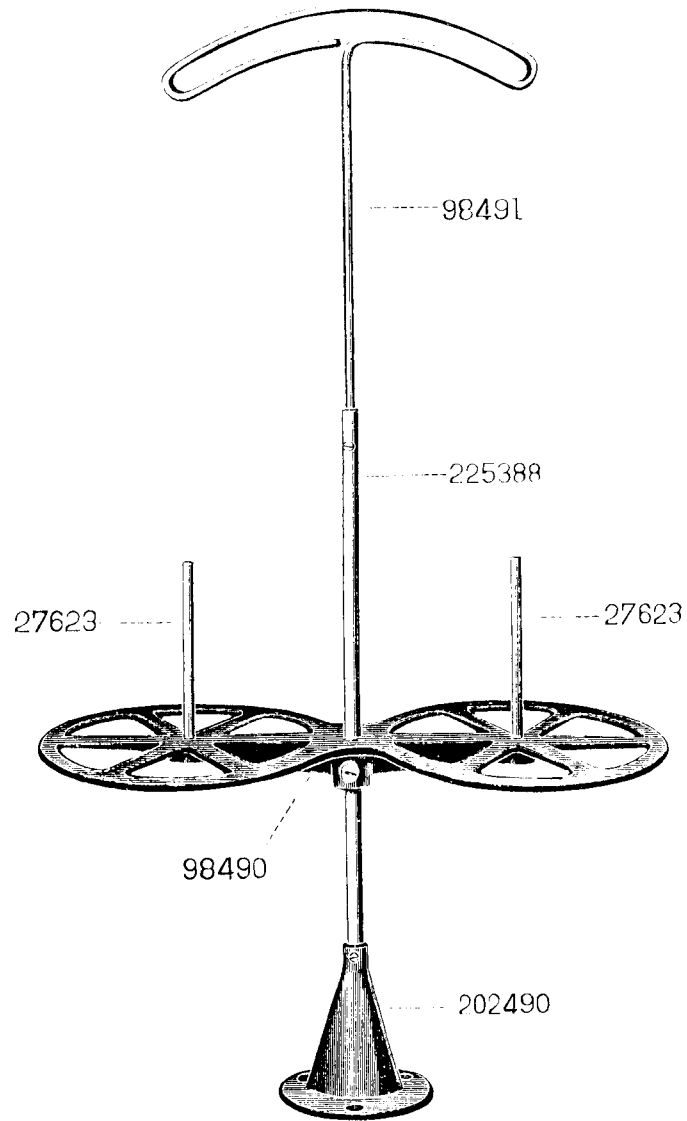


From the library of: Diamond Steel Tool



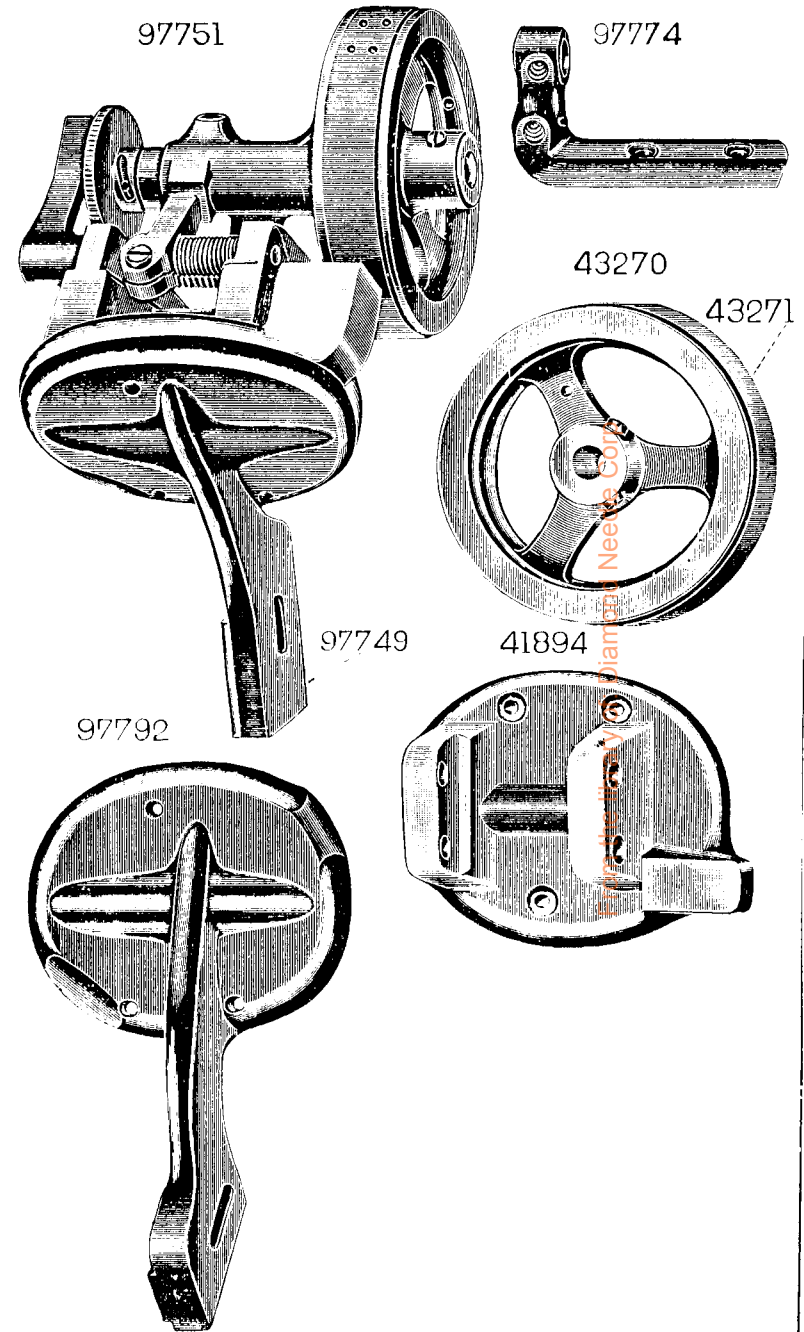
From the library of: Diamond Needle Corp

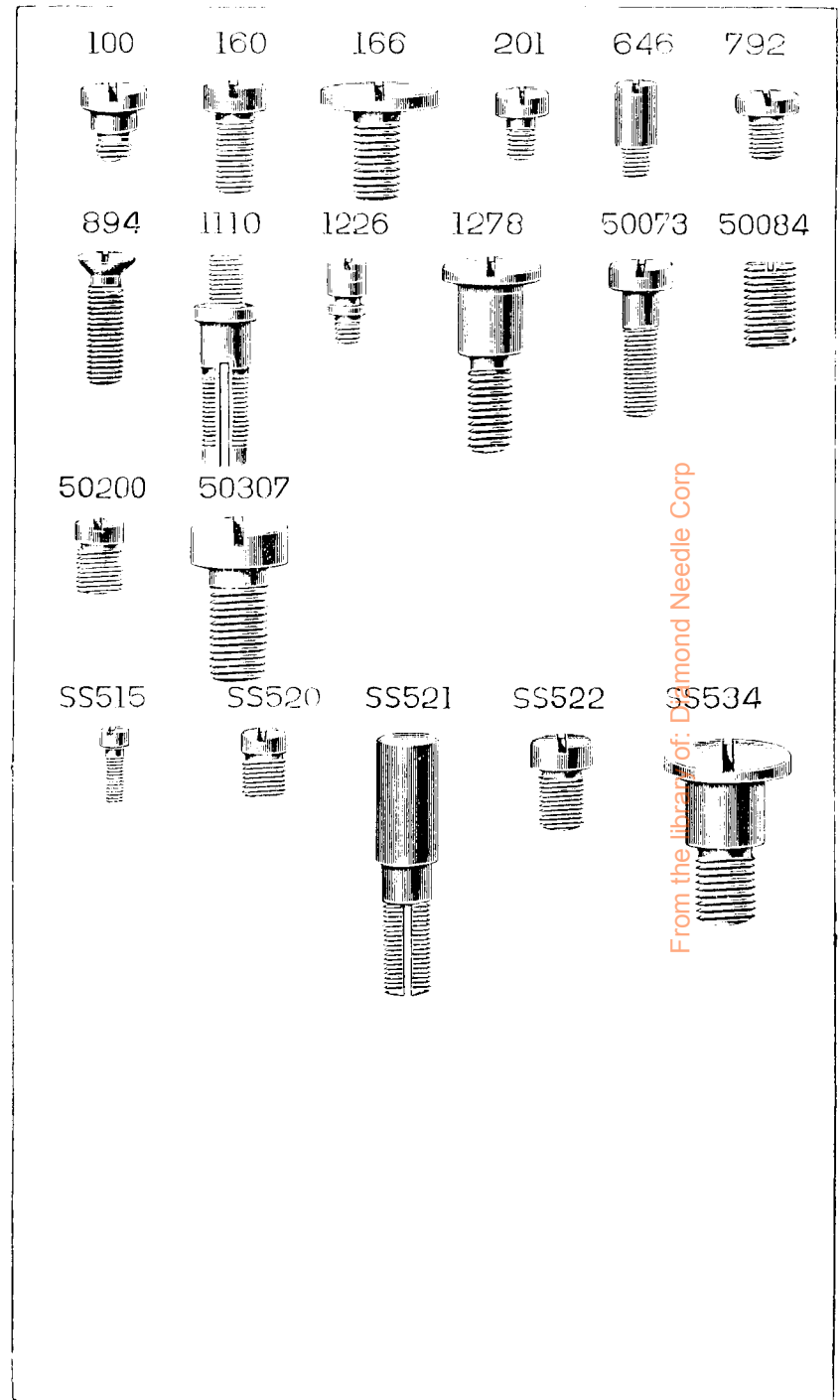
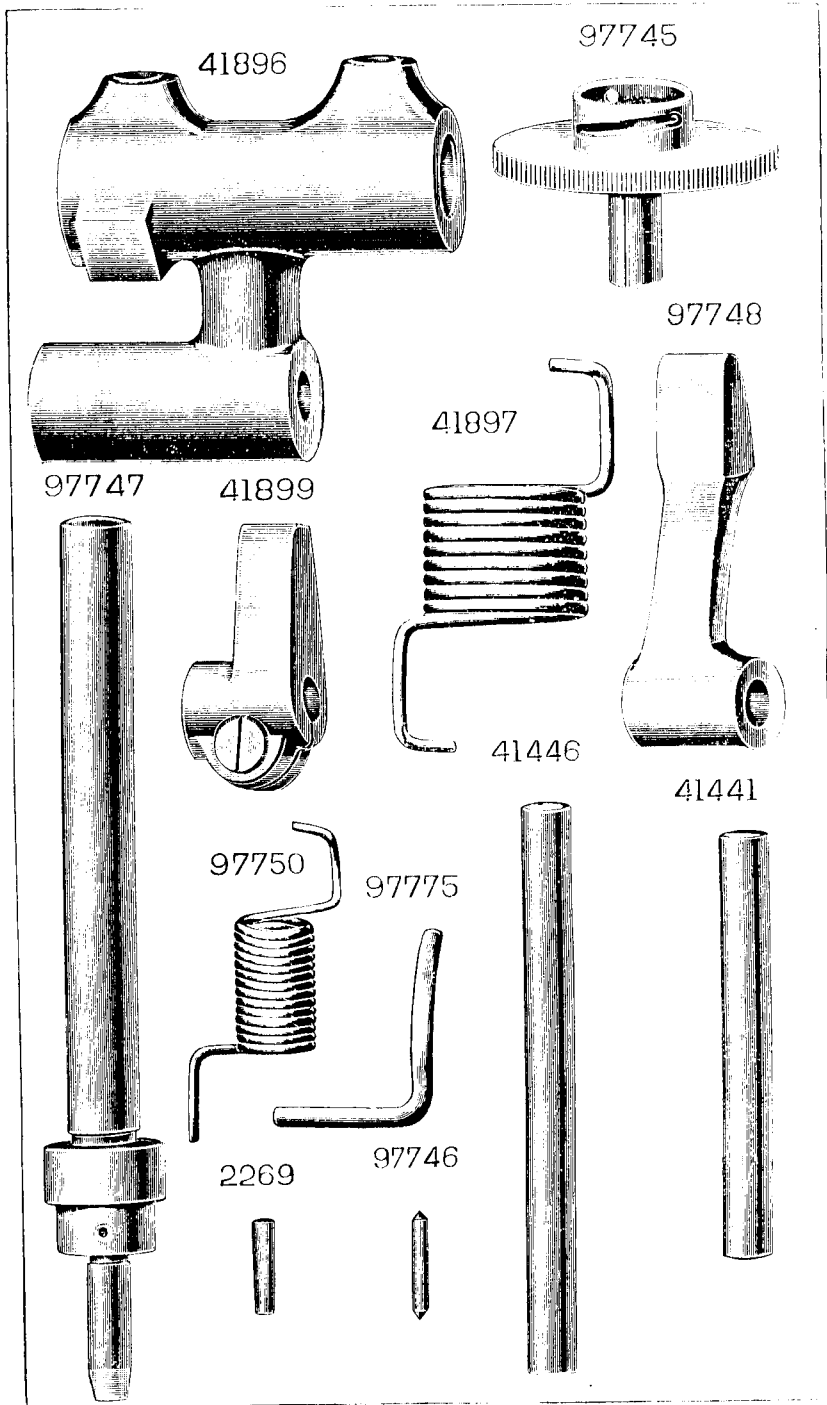
98492



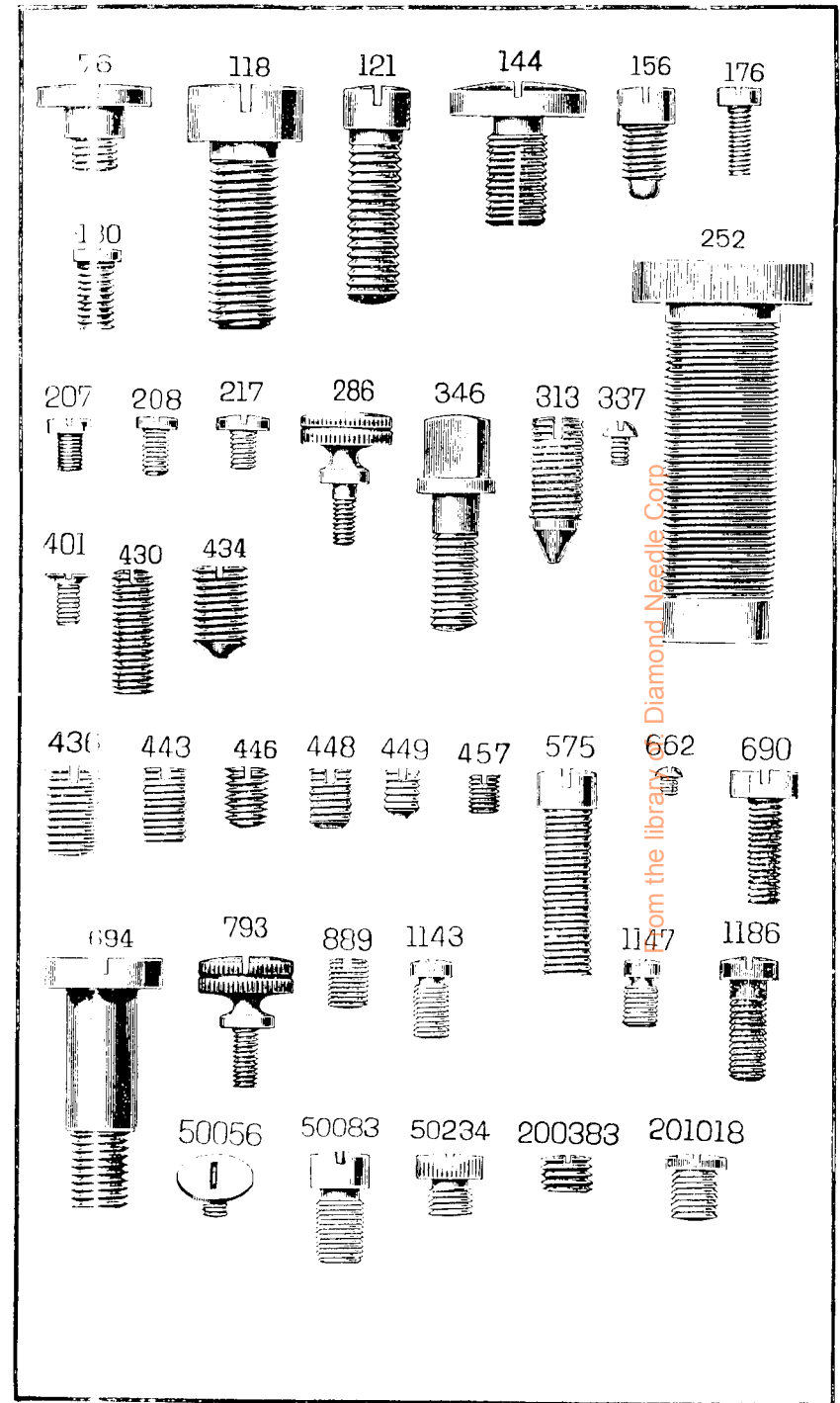
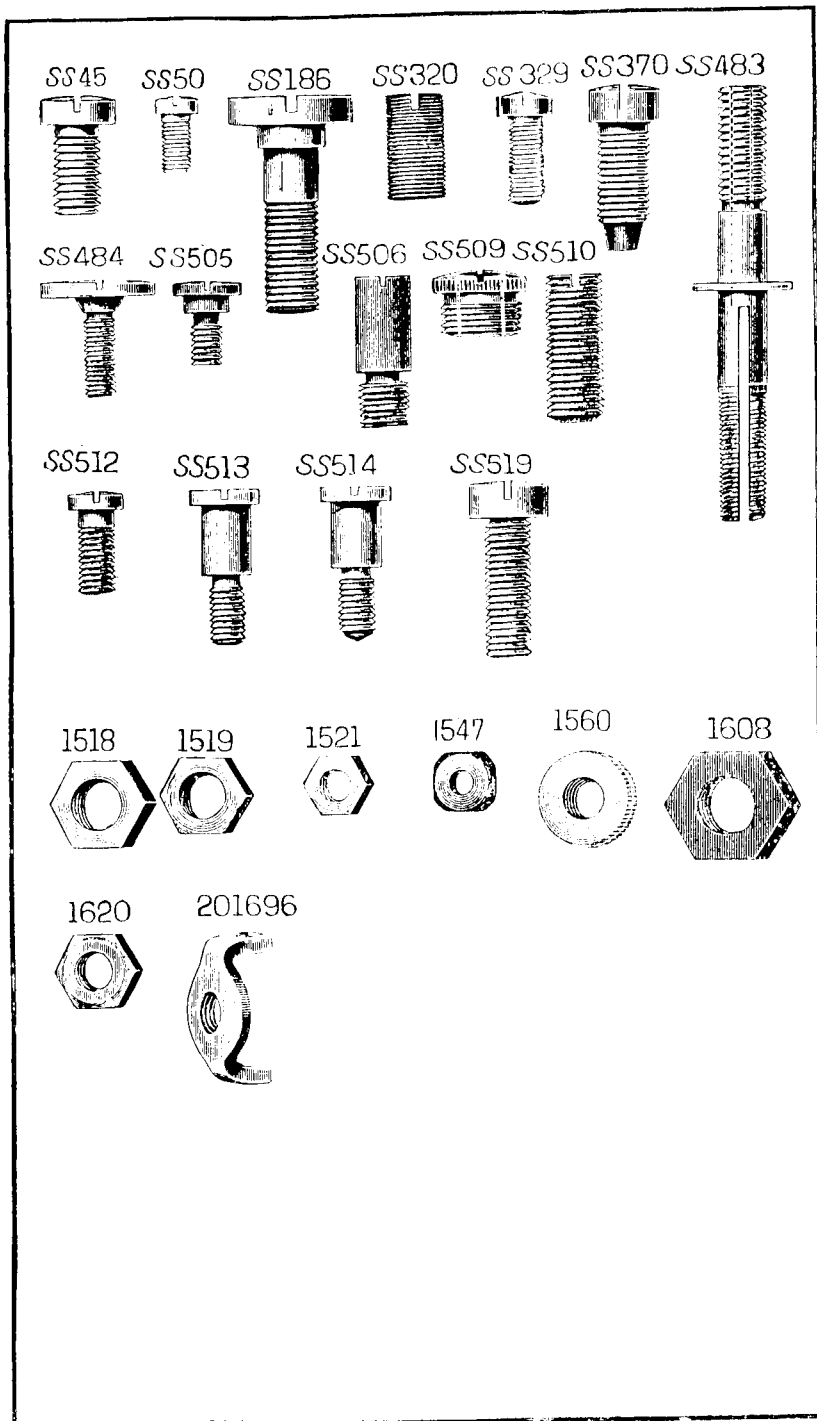
97751

97774





From the library of: Diamond Needle Corp



CONTENTS



	<i>Page</i>
Parts Complete for No. 132K5 Machine	29
Accessories	35
Bobbin Winders	36
Thread Unwinder	37
Foot Lifter	38
Obsolete Parts	39
Numerical List of Parts	41

INSTRUCTIONS FOR ORDERING

In ordering from this List, the prefix and affix letters with the part number **MUST BE** quoted exactly as they are shown in the first column.

A number always indicates the same part in whatever List it may appear, or for whatever machine.

The prefix *SS* indicates Screws made only at Singer.

.. .. *NA* .. Nuts made only at Singer.

.. .. *RB* .. Rollers and Studs made only at Singer.

The affix letters (where shown) indicate the style of finish, as follows: -

- A. Hardened, Polished, Nickel Plated and Buffed.
- B. Polished, Nickel Plated and Buffed.
- C. Hardened only.
- D. Polished only.
- E. Soft, not Polished.
- F. Hardened and Polished.
- H. Blued.
- J. Nickel Plated only.
- K. Hardened and Nickel Plated.
- L. Brass Plated.
- M. Oxidized.
- P. Japanned.
- R. Merlized.
- T. Copper Plated.
- T.A. Hardened, Polished, Copper and Nickel Plated and Buffed.
- T.B. Copper and Nickel Plated and Polished.
- T.J. Copper and Nickel Plated only.
- T.K. Hardened, Copper and Nickel Plated.
- T.M. Copper Plated and Oxidized.
- T.L. Copper and Brass Plated.
- U. Zinc Plated.
- V. Silver Plated.
- W. Polished and Nickel Plated.
- Y. Black Nickel Plated only.
- Z. Chromium Plated.

In this series

- 1 to 1500 and 50001 to 51500 are Screw Numbers.
- 1501 .. 1800 are Nut Numbers.
- 1801 .. 2000 are Roller Numbers.
- 2001 .. 50000 are numbers of machine parts, etc.
- 80001 .. 100000 are numbers of machine parts, etc., made only at Singer.
- 120001 .. 190000 are numbers of machine parts, etc.
- 190001 .. 200000 are numbers of electrical parts.
- 700001 and upwards are numbers of electrical parts.

Parts marked with an asterisk () are furnished only when the repairs are made at Factory.*

PARTS COMPLETE

FOR

No. 132K5 MACHINE

Flat Bed, Drop Feed, Needle Bar Link, Link Take-up and Rotating Hook. Maximum length of stitch, $\frac{1}{2}$ inch. For General Cloth, Canvas and Leather Work.

No.	Plate	Arm	with 15404, 56003, two each 15405 and 94548.
*97601					
8582	1852	..	Dowel Pin (2)		12/32
56003	1851	..	Oil Tube with 52015		
52015	 Packing (Felt)		
94548	1851	..	Oiler for Front Bearing		
94548	1851 Back Bearing		
118e	1860	..	Screw (4)		
97755	1843	..	Shaft (horizontal)		
97603	1845 (..) Flanged Bushing (back)		
97604	1852 (..) (..) Oil Pad		
446e	1860 (..) (..) Oil Screw		
97605	1851 (..) (..) Drain Tube		
97606	1845 (..) (front)		
97607	1852 (..) (..) Oil Pad		
50081e	1858 (..) (..) Oil Screw		
97608	1848 (..) Gear with two 50083e		
50083e	1860 (..) .. Set Screw		
97609	1844 (..) .. Case (two pieces) with 121e and 50234d		
50234d	1860 (..) Plug Screw		
121e	1860 (..) Screw		
1143c	1860 (..) Screw		1/34
97610	1845 (upright)		
97611	1849 (..) Bushing (lower)		
575e	1860 (..) .. (..) Set Screw		
97612	1849 (..) .. (upper)		
575e	1860 (..) .. (..) Set Screw		
98437	1848 (..) Gear (lower) with 88520e and 50200e		
50200e	1858 (..) .. (..) Position Screw		
88520e	1858 (..) .. (..) Set Screw		
97613	1848 (..) .. (upper) with 88520e and 50200e		
50200e	1858 (..) .. (..) Position Screw		
88520e	1858 (..) .. (..) Set Screw		
97614	1846	..	Side Cap		
1226	1858 Screw		12/33
97615	1846 Cover		
1224	1860 Thumb Screw		5/34
202247	1846	..	Top Cover		
88505h	1859 Screw		
202248	1849 Washer		

NOTE: Due to the accuracy required for Gear alignment, Arm cannot be supplied separately and can only be sent out as a unit, Arm and Bed assembled.

From the library of: Oldimad Needle Corp.

No.	Plate	
82403	1851	Arm Spool Pin (2)
97616	1854 Bushing
97617	1843	Balance Wheel, 5 1/2" Pulley, with two 434e
97791	— 5 1/2" Pulley, (9" diam.) with two 434e, for Foot Power
		<i>NOTE.—Bobbin Winder No. 97793 must be used with Balance Wheel No. 97791.</i>
434e	1860	Balance Wheel, Set Screw
		<i>NOTE.—No. 97617 is sent with this machine unless otherwise specified on order.</i>
^{*97618}	—	Bed
46224	1851	.. Oiler (4)
91058	1846	.. Slide (front)
97619	1846 (..) Spring
337d	1860 (..) .. Screw
97620	— (..) complete, Nos. 91058, 97619 and two 337d
91057	1846 (back)
180f	1860 (..) Screw (2)
97621	1844	Face Plate
8845f	1859 Screw (2)
97622	1849 Thread Guard
¹⁹⁰ 98484	1860 Screw
98484	—	Face Plate Thread Guard Thread Retainer
97709	1845	Feed Bar
97710	1847 Lifting Link
1278e	1858 Hinge Screw (2)
1620e	1859 Nut (2)
313e	1860 Screw Centre (2)
1519e	1859 Nut (2)
97625	1847	Feed Dog
8850e	1859 Screw (2)
97711	1846	.. Eccentric
97712	1846 Adjusting Disc
97628	1846 Flange
97629	1845 Coupling with five 50083e
50083e	1860 Screw
213655	1849 Friction Spring Washer
88513e	1859 Screw
1521e	1859 Nut
88514e	1859 Fulcrum Screw
1521e	1859 Nut
97713	1848	.. Lifting Eccentric with two 446e
446e	1860 Set Screw
97714	1843 Rock Shaft
97634	1849 Bushing (front)
436e	1860 (..) Set Screw
97635	1849 (back)
436e	1860 (..) Set Screw

NOTE.—Due to the accuracy required for Gear alignment, Bed cannot be supplied separately and can only be sent out as a unit, Arm and Bed assembled.

No.	Plate	
97715	1841	Feed Lifting Rock Shaft Connecting Rod with 97716 and two 1186e ...
*97716	— Cap
1186e	1860 Screw
88534e	1858 Hinge Screw
1608e	1859 Nut
97717	1848 Crank with two 1186e
1186e	1860 Clamping Screw
166d	1858 End Screw
213161	1848	.. Regulating Lever with 213657
88506e	1859 Hinge Screw
97771	1851 Spring
213657	1848 Pin
97636	1843	Feed Rock Shaft
97637	1849 Bushing (front)
88519e	1859 (..) Set Screw
97638	1849 (back)
88519e	1859 (..) Set Screw
97718	1844 Connecting Rod with 97716 and two 1186e
*97716	— Cap
1186e	1860 Screw
97719	1848 Crank with two 1186e
1186e	1860 Clamping Screw
88534e	1858 Hinge Screw
1608e	1859 Nut
166d	1858 End Screw
85527	1854	Guide
793d	1860	.. Thumb Screw (2)
97644	1845	Needle Bar (hollow)
97645	1849 Bushing (lower)
889e	1860 (..) Set Screw
97646	1846 (upper)
88509e	1859 (..) Cap Screw
46224	1851 (..) Oiler
889e	1860 (..) Set Screw
97648	1847 Connecting Link
97649	1849 Stud with two 88512e
88512e	1859 Clamping Screw
97650	1847 Slide Block
97651	1845 Crank with 88320e and 88370e
88370e	1859 Position Screw
88320e	1859 Set Screw
97791	1847	Needle Clamp
97652	— 97794 with 156f, 217f and 97653
156f	1860 Screw
97653	1847 Thread Guide
217f	1860 Screw
99c	1860	Machine Hinge Connection Set Screw

From the library of: Diamond Needle Corp

No.	Plate	
97654	1845	Presser Bar
97655	1851 Guide Bracket with two 1186c
1186c	1860 " .. Clamping Screw
82129	1845 Lifter
SS186f	1859 " Screw
1518c	1859 " Nut
97656	1848 Lifting and Releasing Lever Bracket
97657	1845 Spring
8554	— Foot Hinge Pin
97658	— Plate
97659	— Shank
95189	1852 Spring
97661	1847 (thinged), complete, Nos. 8554, 95189, 97658 and 97659
SS329f	1859 Screw
1547c	1859 " Nut
252e	1860	Pressure Regulating Thumb Screw
98474	—	Rotating Hook (Short Point) with 97663, two 401d and three SS522c
98465	—	" " 98474 with 98466
98461	—	" " Bobbin Case
98475	—	" " " " Tension Spring
SS549f	—	" " " " " " Adjusting Screw
98462	—	" " " " Nos. SS549f, 662f, 50056f, 97666, 98461 and 98475
98466	—	" " Bobbin Case 98462 with 97664
97666	1850 " .. " .. Bobbin Retainer
50056f	1860 " .. " .. " .. Screw
97667	1850 " .. " .. " .. Tension Spring <i>obsolete</i>
662f	1860 " .. " .. " .. " .. Screw
337f	1860 " .. " .. " .. " .. Adjusting Screw <i>obsolete</i>
97668	— <i>obsolete</i> .. Nos. 337f, 662f, 50056f and 97665 to 97667
97760	— " .. " .. Bobbin Case 97668 with 97664 <i>obsolete</i>
97669	1847 " .. " .. " .. Position Bracket
SS329e	1859 " .. " .. " .. " .. Screw
97670	1850 " .. " .. " .. Retainer
97671	1847 " .. " .. " .. " .. Hinge Stud
889c	1860 " .. " .. " .. " .. " .. Set Screw
97672	1847 " .. " .. " .. " .. Position Spring
792c	1858 " .. " .. " .. " .. " .. Screw
97673	1854 " .. " .. " .. " .. Bracket
50307d	1858 " .. " .. " .. " .. " .. Screw
97674	1850 " .. " .. " .. " .. Spring with 97675 and 97761
*97675	— " .. " .. " .. " .. " .. Pad
*97761	— " .. " .. " .. " .. " .. Rivet
201f	1858 " .. " .. " .. " .. " .. Screw
97676	1845 " .. " .. " .. Shaft

No.	Plate	
97677	1849	Rotating Hook Shaft Bushing (back)
436c	1860 " .. " .. " .. (..) Set Screw
97678	1852 " .. " .. " .. (..) Oil Pad
97679	1849 " .. " .. " .. (front)
SS510c	1859 " .. " .. " .. (..) Set Screw
97678	1852 " .. " .. " .. (..) Oil Pad
98437	1848 " .. " .. Gear with SS520c and 50200c
50200c	1858 " .. " .. " .. Position Screw
SS520c	1858 " .. " .. " .. Set Screw
97680	1845 " .. " .. " .. Case (2 pieces) with 121c and 50234d
50234d	1860 " .. " .. " .. " .. Plug Screw
121c	1860 " .. " .. " .. " .. Screw
97681	1851	Stack Thread Regulator
1147c	1860 " .. " .. " .. Set Screw
97682	1851 " .. " .. " .. Bracket
118c	1860 " .. " .. " .. " .. Set Screw
97795	1853	Tension Disc (inner)
97796	1853 " .. (outer)
1560d	1859 " .. Regulating Thumb Nut
97683	1851 " .. Releasing Disc
97684	1851 " .. Lever
646d	1858 " .. " .. Hinge Screw
12329	1852 " .. " .. Spring
97799	1853 " .. " .. Pin
SS536d	1853 " .. Screw Stud
11422	1853 " .. Spring
82446	1853 " .. Washer (felt)
97797	1853 " .. (fibre)
97800	—	Tension (rotating) and Thread Take-up Spring, complete, Nos. SS536d, 1560d, 11422, 82446, 82525, 97683, 97696, 97698 and 97795 to 97798
97756	1847	Thread Guard (side of arm)
1143c	1860 " .. " .. Set Screw
97769	1845	Thread Lubricating Cup
250519	1852 " .. " .. Oil Pad (Felt)
160c	1858 " .. " .. " .. Set Screw
97772	1845 " .. " .. Thread Guide
97770	— " .. " .. " .. 97769 with 160c, 97772 and 250519
89363	1851	Thread Retaining Disc
1110c	1858 " .. " .. Screw Stud
1560d	1859 " .. " .. " .. Regulating Thumb Nut
2103	1851 " .. " .. Spring

No.	Plate	Thread	Retainer, complete, Nos. 1110e, 1560d, 2103, and two 89363 ...
97757	—		
82450	1847	" "	Thread Eyelet
SS50f	1859	" "	" " Screw
97687	1849	" "	Take-up Crank
97688	1852	" "	" " Cotter Pin
690c	1860	" "	" " " Screw
SS484e	1859	" "	" " Cap Screw
97689	1852	" "	" " Lever
97690	1852	" "	" " Bushing
SS515d	1858	" "	" " Clamping Screw
97691	1852	" "	" " Hinge Pin
97692	1852	" "	" " Link
97693	1847	" "	" " Hinge Pin
430e	1860	" "	" " " Set Screw
457e	1860	" "	" " " End Screw
97694	—	" "	complete, Nos. 457e, SS515d and 97689 to 97693
82525	1849	" "	Spring
97696	1849	" "	" " Adjusting Sleeve
97798	1853	" "	" " Lever
97698	1848	" "	" " Regulator
443c	1860	" "	" " " Set Screw
97699	1847	Throat Plate
180f	1860	" "	Screw (2)
*15404	—	Trade Mark
15405	—	" "	Rivet

12/3

Accessories

No.		
84118	1852	Machine Button with 84151 and Wood Screw 1 1/4" No. 9 R.H.B. ...
84151	—	" " " Washer (leather)
216 x 1	—	Needles (6)
120342	1600	Oiler
97664	1850	Rotating Hook Bobbin (5)
11831	1600	Screw Driver (large)
120378	1852	" " (small)

From the library of: Diamond Needle Corp

Bobbin Winder

(Swinging Automatic, Left Hand)

No.	Plate	
41894	1856	Base with 449c
894d	1858	.. Screw
97745	1857	Bobbin Holder
97746	1857 Pin
41896	1857	Frame
41441	1857	.. Hinge Pin
449c	1860 Set Screw
<i>125044</i> 4784	---	.. Oil Pad
41897	1857	.. Spring
43270	1856	Friction Pulley with 43271, two 448c and ten 45405
43271	1856 Ring (Leather)
15405	--- Rivet (Brass)
448c	1860 Set Screw
97747	1857	Spindle
97748	1857	Stop Latch
41446	1857 Hinge Pin
2269	1857 Pin
97749	1856	Support Bracket
346c	1860 Screw
97771	1856	Tension Bracket
50073d	1858 Screw
2102	1852	.. Disc
88521c	1858	.. Screw Stud
889c	1860 Set Screw
1560d	1859 Thumb Nut
2103	1851	.. Spring
97775	1857	.. Thread Guard
889c	1860 Set Screw
97776	---	Tension, complete, Nos. 88521c, 1560d, 2103, 97774, 97775, two each 889c and 2102
41899	1857	Tripping Arm with 176d
176d	1860 Clamping Screw
97750	1857 Spring
97751	1856	Bobbin Winder, complete, Nos. 346c, 2269, 4784 <i>125044</i> , 41441, 41446, 41894, 41896, 41897, 41899, 43270, 97745 to 97750, 97776, two 50073d and three 894d

Bobbin Winder

(Swinging Automatic, Left Hand)

For machine when fitted with Balance Wheel No. 97791 for Foot Power.

This is the same as Bobbin Winder No. 97751 with the following exceptions:—

No.	Plate	
97792	1856	Support Bracket
97793	---	Bobbin Winder, complete, Nos. 346c, 2269, 4784 <i>125044</i> , 41441, 41446, 41894, 41896, 41897, 41899, 43270, 97745 to 97748, 97750, 97776, 97792 two 50073d and three 894d

9/54

Thread Unwinder

FOR TWO SPOOLS OF THREAD.

No.	Plate	
27623	1855	Spool Pin
98489	---	.. Rest
98490	1855 98489 with 1149c and two 27623
225388	1855 Rod
200383c	1860 Set Screw
1149c	--- Set Screw
202490	1855 with 200383c
98491	1855	Thread Guide with 208c
208c	1860 Set Screw
---	---	Screw (Wood) $\frac{1}{4}$ " No. 13 (for fixing to table)
98492	1855	Thread Unwinder, complete, Nos. 98490, 98491, 202490, 225388 and three Wood Screws $\frac{1}{4}$ " No. 13

From the library of: Diamond Needle Club

MAK 1922

Foot Lifter

No.	Plate	
91296	1843	Foot Lever
91297	1843 Bracket
91298	— Hinge Pin
—	— Screw (Wood) 1¼" No. 15
91299	1843 Nos. 91296 to 91298 and three Wood Screws 1¼" No. 15
97785	— Chain (34" long) with 39575, 39576 and 56864
39576	— Hook (upper)
39575	— (centre)
56864	— (lower)
97801	—	Foot Lever, complete, Nos. 91299 and 97785
97787	1843	Lifting Lever with 448c
97788	1843 Connecting Rod
12416	1851 Joint
76d	1860 Hinge Screw
1521e	1859 Lock Nut
694d	1860 Hinge Screw
97722	1854 Link
100d	1858 Hinge Screw
97723	1854 Pin
448c	1860 Set Screw
97767	1854 Spring
97789	—	Foot Lifter, complete, Nos. 76d, 100d, 694d, 1521e, 12416, 97722, 97723, 97767, 97787, 97788 and 97801

Obsolete Parts

No.	Plate	
88483d	1853	Tension Screw Stud
97697	1853	Thread Take-up Spring Lever

From the library of: Diamond Needle Corp